

# 3/2-Way-Solenoid-Valve

## Type 02.1.01.002.01



### Technical data

Type of actuation	direct control
Nominal size	2 mm
Pump connection P	hose Ø 6 mm
Working connection A	hose Ø 6 mm
Ventilation connection R	internal thread M5
Function	normally closed NC*
Operating pressure	max. vacuum 99,9 % up to 2 bar
Ambient temperature	max. 80° C
Duty cycle ED	100 %
Enclosure protection in compliance with DIN 40050	IP 00 IP 65 with connector (Art.-No. 229/000002)

### Power consumption

24 V/DC	10 W
24 V/AC und 230 V/AC	8,5 VA

### Standard voltages

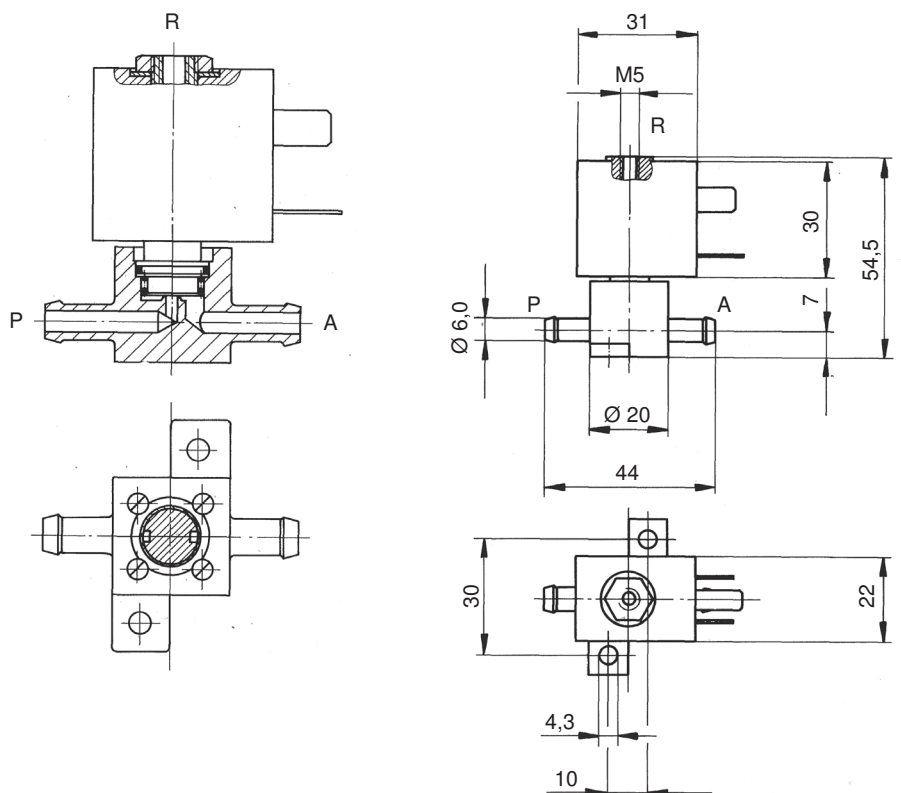
24 V/DC	Art.-No. 260/002011
24 V/AC	Art.-No. 260/002012
230 V/AC	Art.-No. 260/002015

Other voltages available on inquiry

### Current consumption

24 V/DC	0,417 A
24 V/AC	0,354 A
230 V/AC	0,039 A

\*Function „normally open“ NO P=R



Also suitable for use as 2/2-way- solenoid-valve by closing the ventilation connection R using M5 screw plug (Art.-No. 233/000004).

The ventilation connection R can be fitted with a sintered bronze silencer M5 (Art.-No. 215/000010) as ventilation filter.

For the normally open (NO) function the ventilation connection R can be fitted with the M5 - 6 mm hose nozzle (Art.-No. 210/000187) and sealing ring (Art.-No. 233/000023).