

3/2-Way-Solenoid-Valve Type 02.1.00.004.01



Technical data

| | |
|---|---|
| Type of actuation | direct control |
| Nominal size | 3,5 mm |
| Pump connection P | for hollow screw R 1/8" |
| Working connection A | hose Ø 6 mm |
| Ventilation connection R | internal thread M5 |
| Function | normally closed NC |
| Operating pressure | Max. vacuum 99,9 % |
| Ambient temperature | max. 80° C |
| Duty cycle ED | 100 % |
| Enclosure protection in compliance with DIN 40050 | IP 00 IP 65 with connector (Art.-No. 229/000002) |

Power consumption

| | |
|----------------------|--------|
| 24 V/DC | 10 W |
| 24 V/AC und 230 V/AC | 8,5 VA |

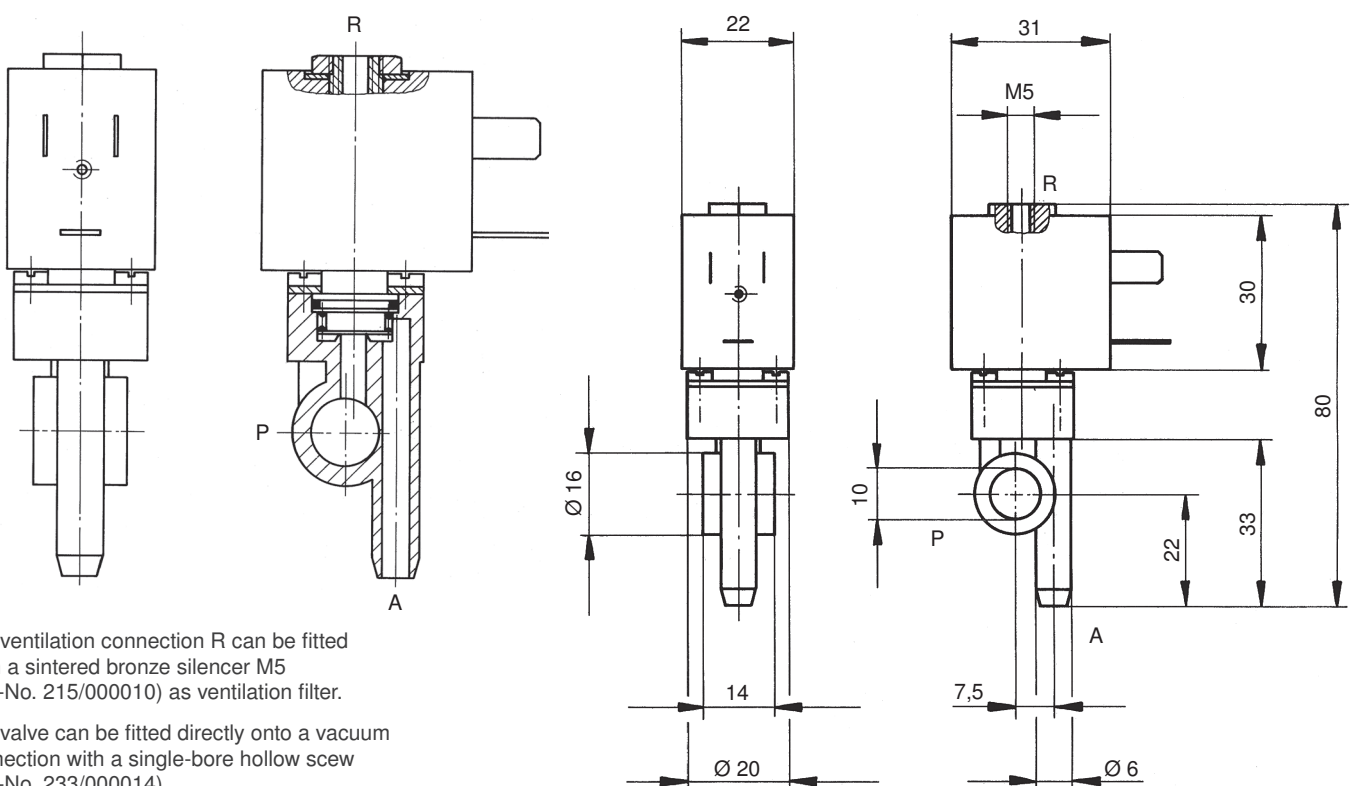
Standard voltages

| | |
|----------|---------------------|
| 24 V/DC | Art.-No. 262/004011 |
| 24 V/AC | Art.-No. 262/004012 |
| 230 V/AC | Art.-No. 262/004015 |

Current consumption

| | |
|----------|---------|
| 24 V/DC | 0,417 A |
| 24 V/AC | 0,354 A |
| 230 V/AC | 0,039 A |

Other voltages available on inquiry



The ventilation connection R can be fitted with a sintered bronze silencer M5 (Art.-No. 215/000010) as ventilation filter.

The valve can be fitted directly onto a vacuum connection with a single-bore hollow screw (Art.-No. 233/000014).