

# 3/2-Way-Solenoid-Valve

## Type 02.2.01.020.01



### Technical data

Type of actuation	vacuum pilot control
Nominal size	20 mm
Pump connection P	internal thread R 3/4"
Working connection A	internal thread R 3/4"
Ventilation connection R	internal thread R 3/8"
Function	normally closed NC
Operating pressure	max. vacuum 99,9 %
Ambient temperature	max. 80° C
Duty cycle ED	100 %
Enclosure protection in compliance with DIN 40050	IP 00 IP 65 with connector (Art.-No. 229/000002)

### Power consumption

24 V/DC	10 W
24 V/AC und 230 V/AC	8,5 VA

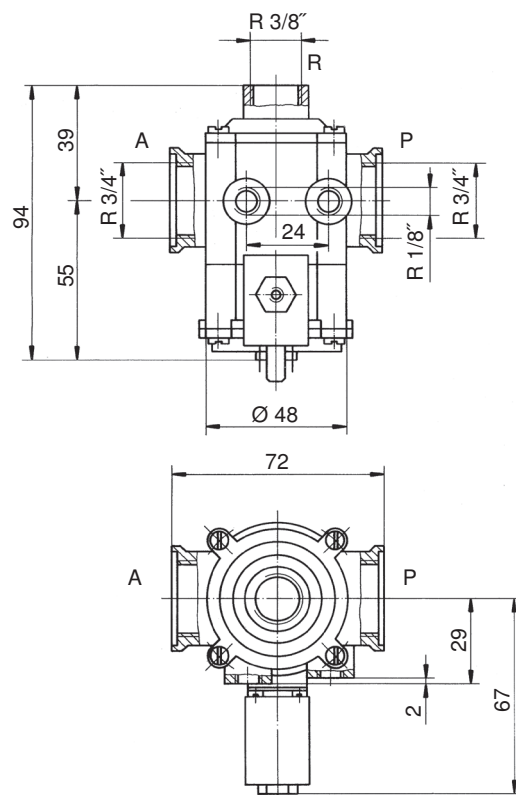
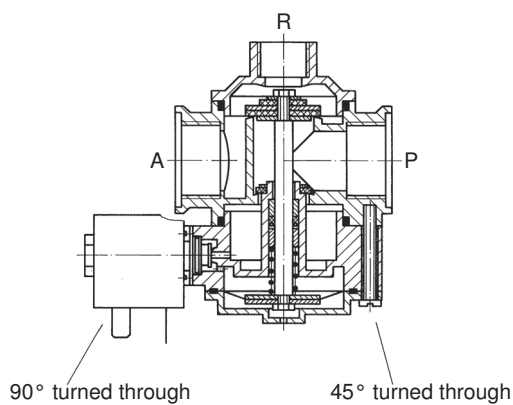
### Current consumption

24 V/DC	0,417 A
24 V/AC	0,354 A
230 V/AC	0,039 A

### Standard voltages

24 V/DC	Art.-No. 263/020011
24 V/AC	Art.-No. 263/020012
230 V/AC	Art.-No. 263/020015

Other voltages available on inquiry



Connection R 1/8" are fitted with screw plugs as standard.