

3/2-Way-Solenoid-Valve Type 02.2.01.032.15



Technical data

Type of actuation	vacuum pilot control
Nominal size	32 mm
Pump connection P	internal thread R 1 1/4"
Working connection A	internal thread R 1 1/4"
Ventilation connection R	internal thread R 3/4"
Function	normally closed NC
Operating pressure	max. vacuum 99,9 %
Ambient temperature	max. 80° C
Duty cycle ED	100 %
Enclosure protection in compliance with DIN 40050	IP 00 IP 65 with connector (Art.-No. 229/000002)

Power consumption

24 V/DC	10 W
24 V/AC und 230 V/AC	8,5 VA

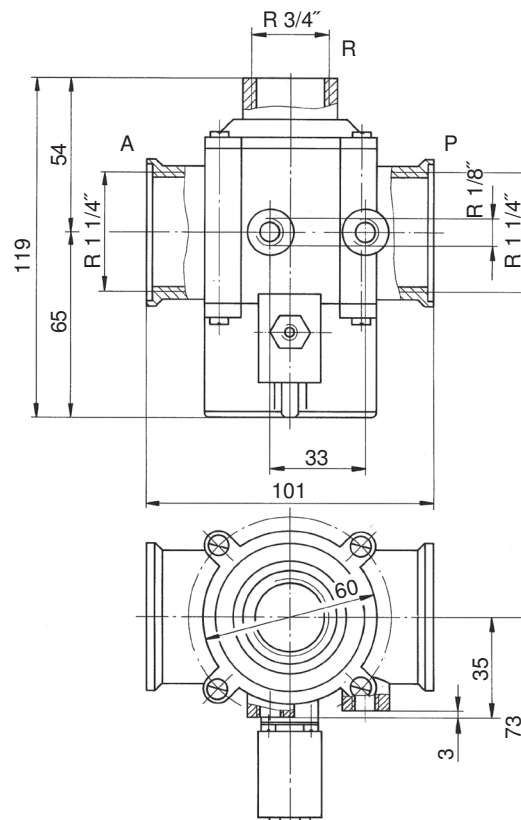
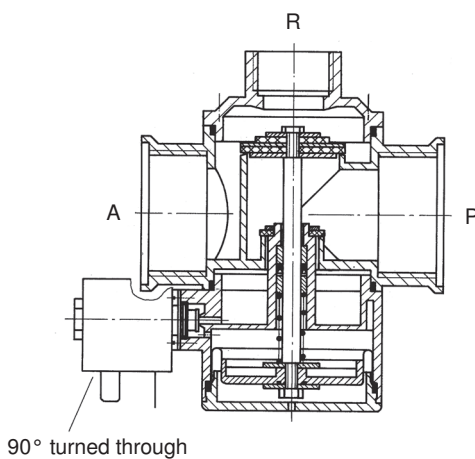
Current consumption

24 V/DC	0,417 A
24 V/AC	0,354 A
230 V/AC	0,039 A

Standard voltages

24 V/DC	Art.-No. 263/032151
24 V/AC	Art.-No. 263/032152
230 V/AC	Art.-No. 263/032155

Other voltages available on inquiry



Connection R 1/8" are fitted with screw plugs as standard.