

3/2-Way-Valve

Type 02.3.01.032.01



Standard voltages

| | |
|-----------------------|---------------------|
| 24 V/DC | Art.-No. 266/032011 |
| 24 V/AC | Art.-No. 266/032012 |
| 230 V/AC | Art.-No. 266/032015 |
| Without control valve | Art.-No. 266/032010 |

Other voltages available on inquiry

Technical data

| | |
|--------------------------|--|
| Type of actuation | pneumatic control (closing by spring tension) |
| Nominal size | 32 mm |
| Pump connection P | internal thread R 1 1/4" |
| Working connection A | internal thread R 1 1/4" |
| Ventilation connection R | internal thread R 3/4" |
| Control connection P1 | internal thread R 1/8" |
| Operating pressure | max. vacuum 99,9 % |
| Control pressure | 4-8 bar |
| Ambient temperature | max. 80° C |

Control valve

| | |
|---|--|
| Duty cycle ED | 100 % |
| Enclosure protection in compliance with DIN 40050 | IP 00 IP 65 with connector (Art.-No. 229/000002) |

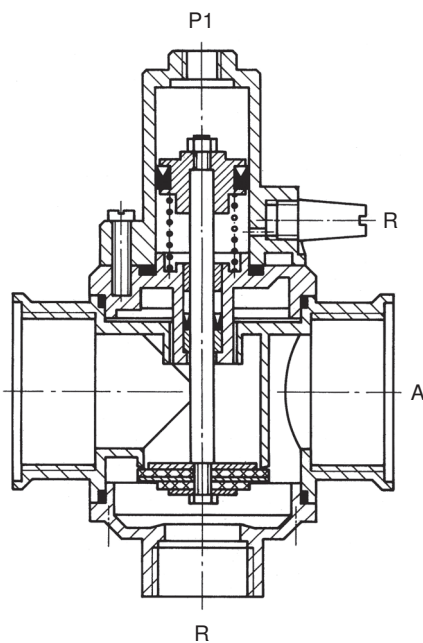
Power consumption

| | |
|----------------------|--------|
| 24 V/DC | 10 W |
| 24 V/AC und 230 V/AC | 8,5 VA |

Current consumption

| | |
|----------|---------|
| 24 V/DC | 0,417 A |
| 24 V/AC | 0,354 A |
| 230 V/AC | 0,039 A |

Also available with attached control valve



Connection R 1/8" are fitted with screw plugs as standard.

