

Ventilation Valve

Type 04.2.02.020.03



Technical data

Type of actuation	vacuum pilot control
Nominal size	20 mm
Connection 1	external thread R 3/4"
Connection 2	internal thread R 1/2"
Pilot control connection 3	hose Ø 6 mm
Function	normally closed NC
Operating pressure	max. vacuum 99,9 %
Ambient temperature	max. 80 ° C
Duty cycle ED	100 %
Enclosure protection in compliance with DIN 40050	IP 00 IP 65 with connector (Art.-No. 229/000002)

Standard voltages

24 V/DC	Art.-No. 274/020031
24 V/AC	Art.-No. 274/020032
230 V/AC	Art.-No. 274/020035

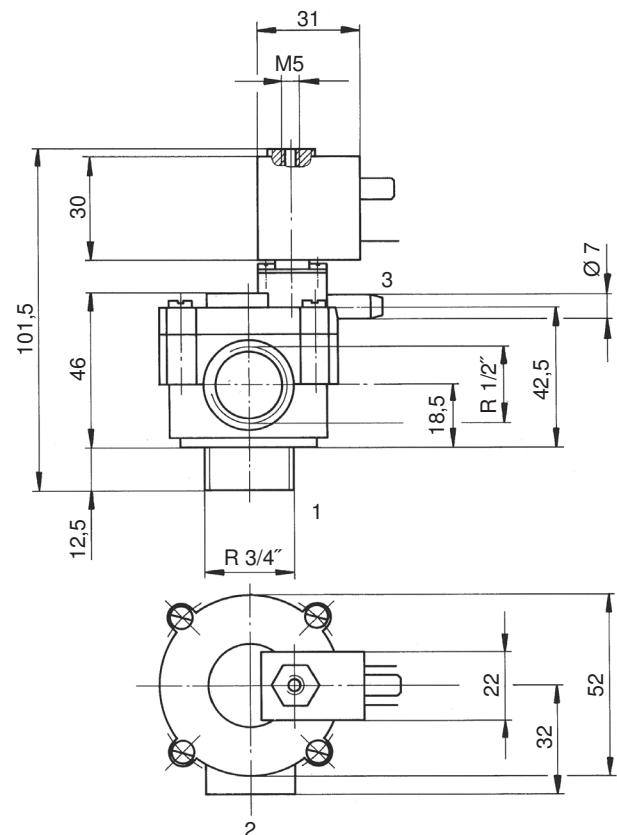
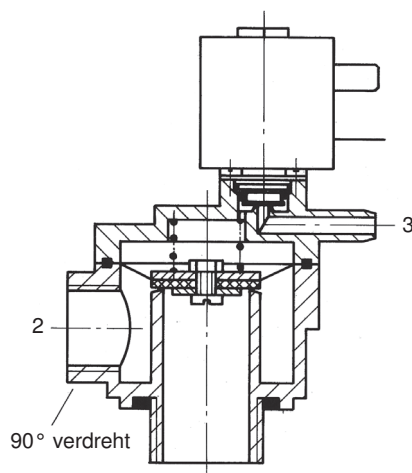
Power consumption

24 V/DC	10 W
24 V/AC and 230 V/AC	8,5 VA

Current consumption

24 V/DC	0,417 A
24 V/AC	0,354 A
230 V/AC	0,039 A

Other voltages available on inquiry



The connection 2 can be fitted with a sintered bronze silencer R 1/2" (Art.-No. 233/000014) as ventilation filter.