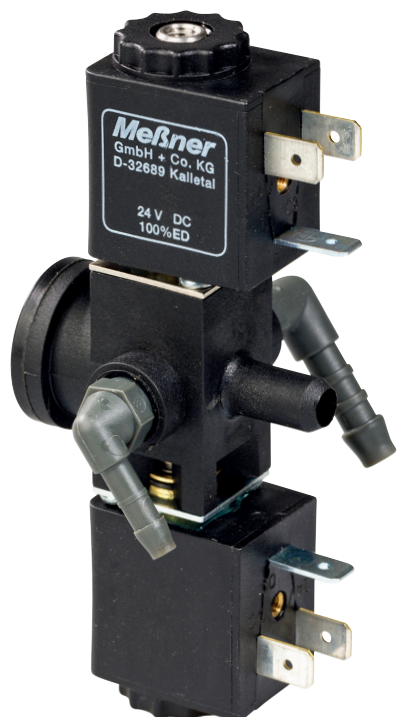


Valve Batteries

Type 05.1.01.006.01



Technical data

Type of actuation	direct control
Nominal size	Ventilation Valve 6 mm 3/2-Way-Valve 3 mm
Connection 1	internal thread R 3/8"
Connection 2	hose Ø 8 mm
Connection 3	hose Ø 4 mm
Connection 4	hose Ø 6 mm
Function	
Ventilation Valve	normally closed NC
3/2-Way-Valve	normally closed NC
Operating pressure	max. vacuum 99,9 %
Ambient temperature	max. 80° C
Duty cycle ED	100 %
Enclosure protection in compliance with DIN 40050	IP 00 IP 65 with connector (Art.-No. 229/000002)

Power consumption (per coil)

24 V/DC	10 W
24 V/AC and 230 V/AC	8,5 VA

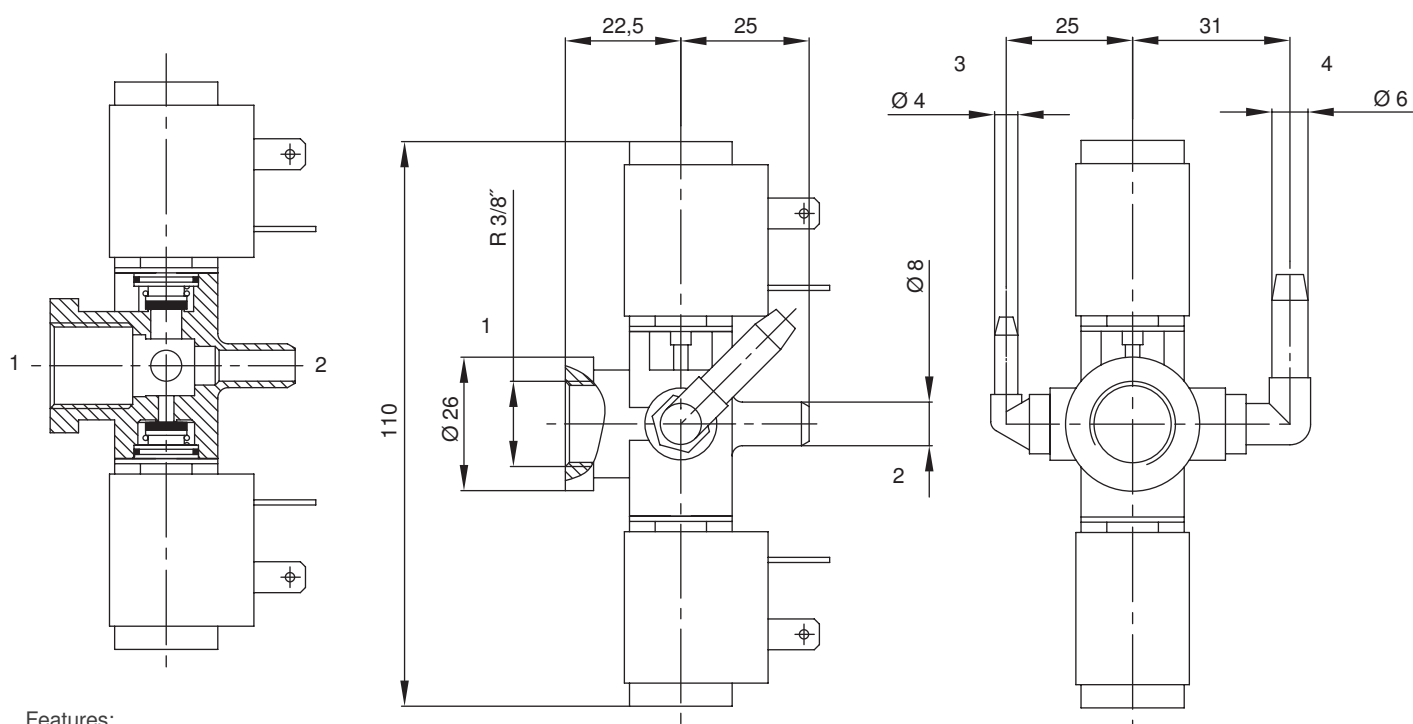
Current consumption (per coil)

24 V/DC	0,417 A
24 V/AC	0,354 A
230 V/AC	0,039 A

Standard voltages

24 V/DC	Art.-No. 280/006011
24 V/AC	Art.-No. 280/006012
230 V/AC	Art.-No. 280/006015

Other voltages available on inquiry



Features:
Direct mounting on the back of the chamber.
With vacuum gauge and cylinder connections.