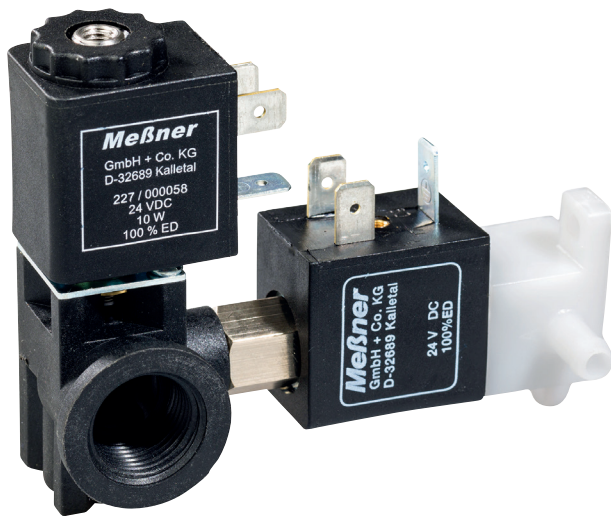


# Valve Batteries

## Type 05.1.01.006.03



### Technical data

Type of actuation	direct control
Nominal size	Ventilation Valve 6 mm 3/2-Way-Valve 2 mm
Connection 1	internal thread R 3/8"
Connection 2	internal thread R 1/8"
Connection 3	internal thread R 1/4"
Connection 4+5	hose Ø 6 mm
Function	
Ventilation Valve	normally closed NC
3/2-Way-Valve	normally open NO
Operating pressure	max. vacuum 99,9 %
Ambient temperature	max. 80 ° C
Duty cycle ED	100 %
Enclosure protection in compliance with DIN 40050	IP 00 IP 65 with connector (Art.-No. 229/000002)

### Standard voltages

24 V/DC	Art.-No. 280/006031
24 V/AC	Art.-No. 280/006032
230 V/AC	Art.-No. 280/006035

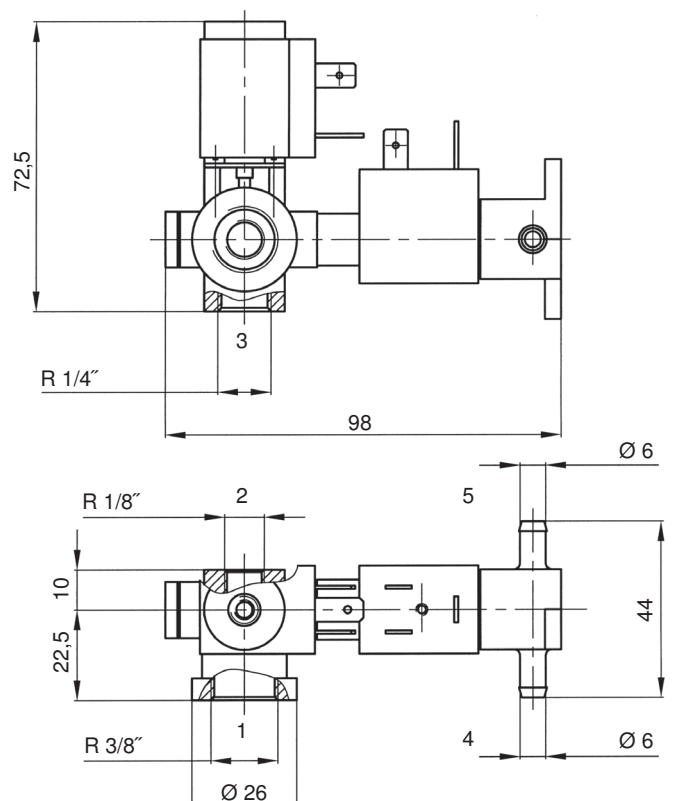
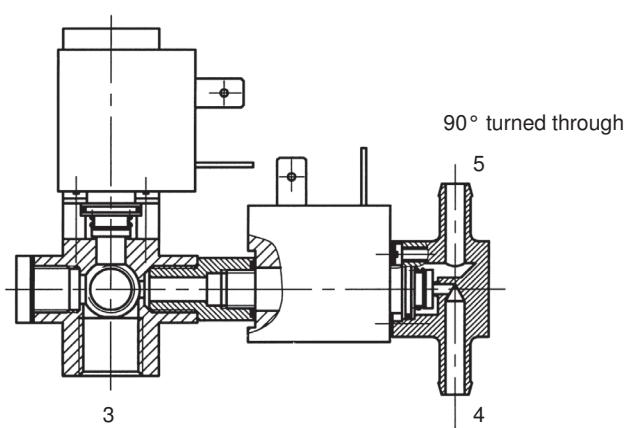
### Power consumption (per coil)

24 V/DC	10 W
24 V/AC and 230 V/AC	8,5 W

### Current consumption (per coil)

24 V/DC	0,417 A
24 V/AC	0,354 A
230 V/AC	0,039 A

Other voltages available on inquiry



Features:  
Direct mounting on the back of the chamber.  
With vacuum gauge and cylinder connections.