

Valve Batteries

Type 05.1.00.008.01



Technical data

Type of actuation	direct control
Nominal size	Ventilation Valve 8 mm 3/2-Way-Valve 3,5 mm
Connection P	hose Ø 20 mm
Connection P1	hose Ø 6 mm
Connection A1	flange Ø 25 mm
Connection A2	hose Ø 6 mm
Function	
Ventilation Valve	normally closed NC
3/2-Way-Valve	normally open NO
Operating pressure	max. vacuum 99,9 %
Ambient temperature	max. 80° C
Duty cycle ED	100 %
Enclosure protection in compliance with DIN 40050	IP 00 IP 65 with connector (Art.-No. 229/000002) (Art.-No. 229/000003)

Standard voltages

24 V/DC	Art.-No. 282/008011
24 V/AC	Art.-No. 282/008012
230 V/AC	Art.-No. 282/008015

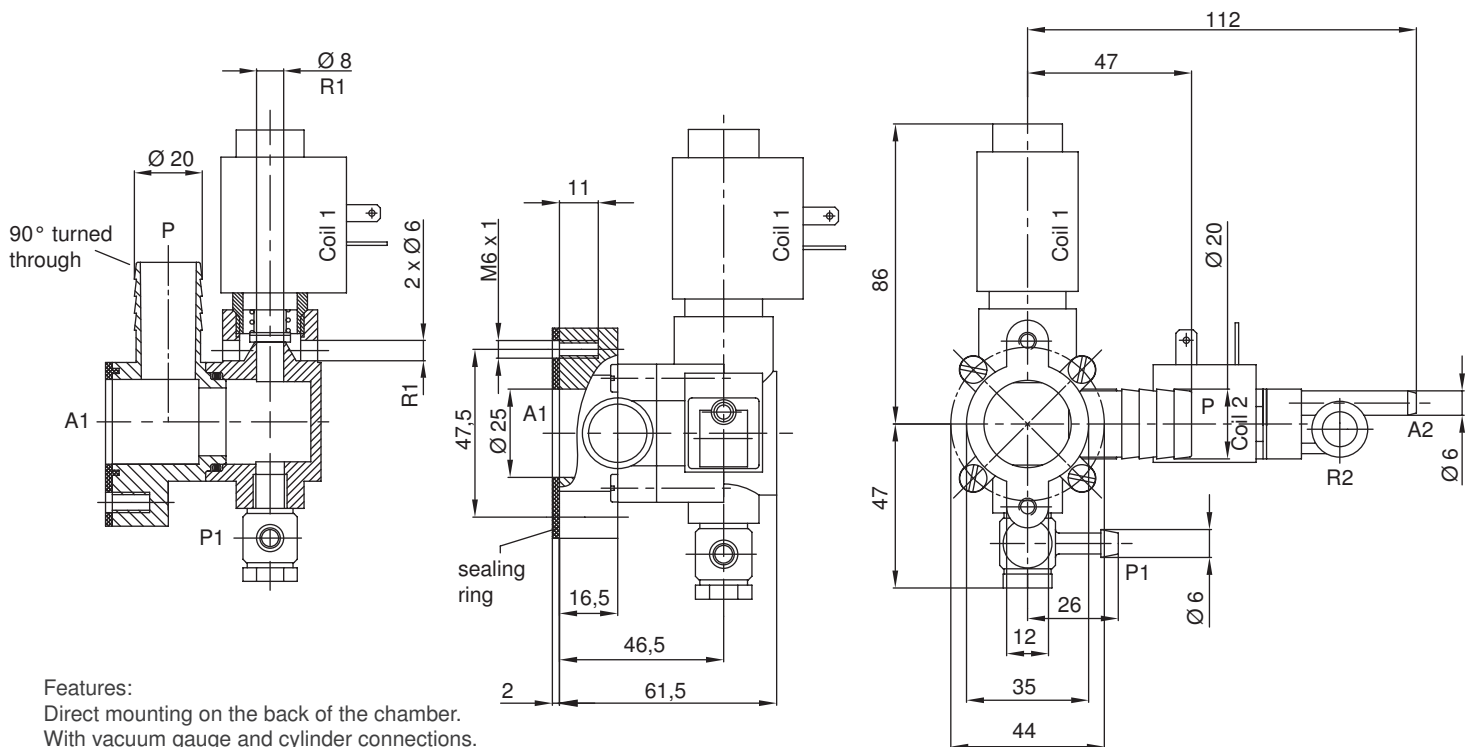
Power consumption

	Coil 1	Coil 2
24 V/DC	13 W	10 W
24 V/AC and 230 V/AC	13 VA	8,5 VA

Current consumption

	Coil 1	Coil 2
24 V/DC	0,542 A	0,417 A
24 V/AC	0,542 A	0,354 A
230 V/AC	0,059 A	0,039 A

Other voltages available on inquiry



Features:
Direct mounting on the back of the chamber.
With vacuum gauge and cylinder connections.