

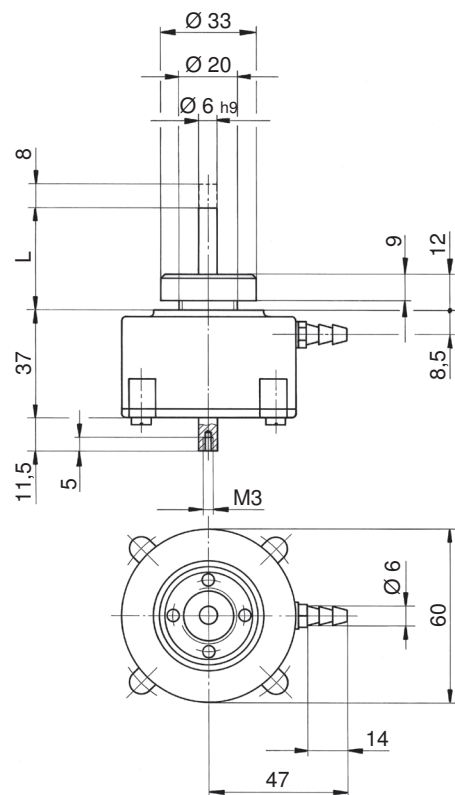
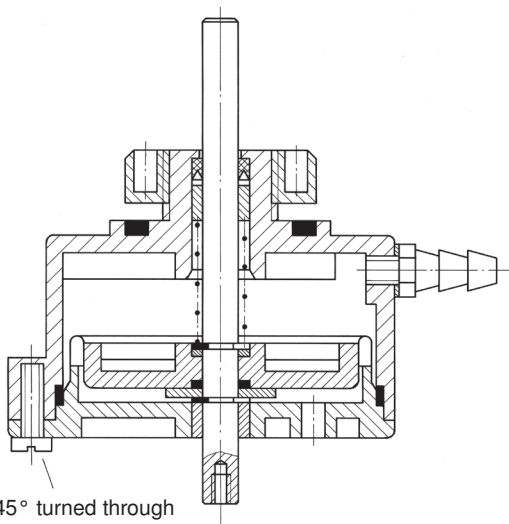
# Vacuum Cylinders

## Type 06.0.00.050. ...



### Technical data

Function	single-acting with spring return
Ambient temperature	max. 80° C
Connection	hose Ø 6 mm
Piston diameter	50 mm
Cylinder power	180 N max.
Stroke	8 mm
Operating pressure	vacuum max. 99,9 %
Securing	Central with union nut
Piston rod	through-going



Features: Cylinder with through-going piston rod allow a power supply to the sealing bar.