

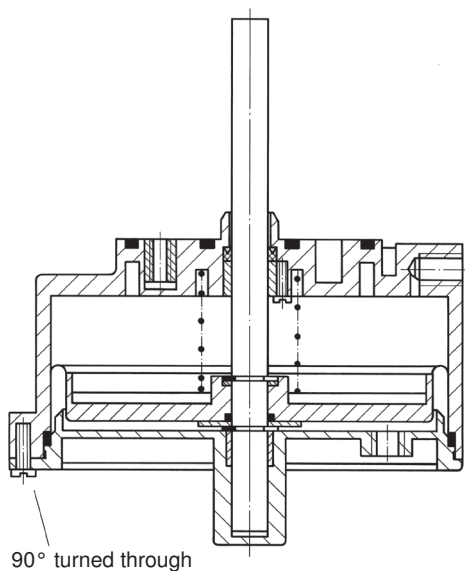
Vacuum Cylinders

Type 06.0.00.110. ...



Technical data

Function	single-acting with spring return
Ambient temperature	max. 80° C
Connection 1	R 1/8"
Connection 2	R 1/8"
Piston diameter	110 mm
Cylinder power	850 N max.
Stroke	20 mm
Operating pressure	vacuum max. 99,9 %
Securing	with 4 screws M 6
Piston rod	through-going or one-sided



Optionally with through-going or one-sided piston rod available.

Features: Cylinder with through-going piston rod allow a power supply to the sealing bar.

